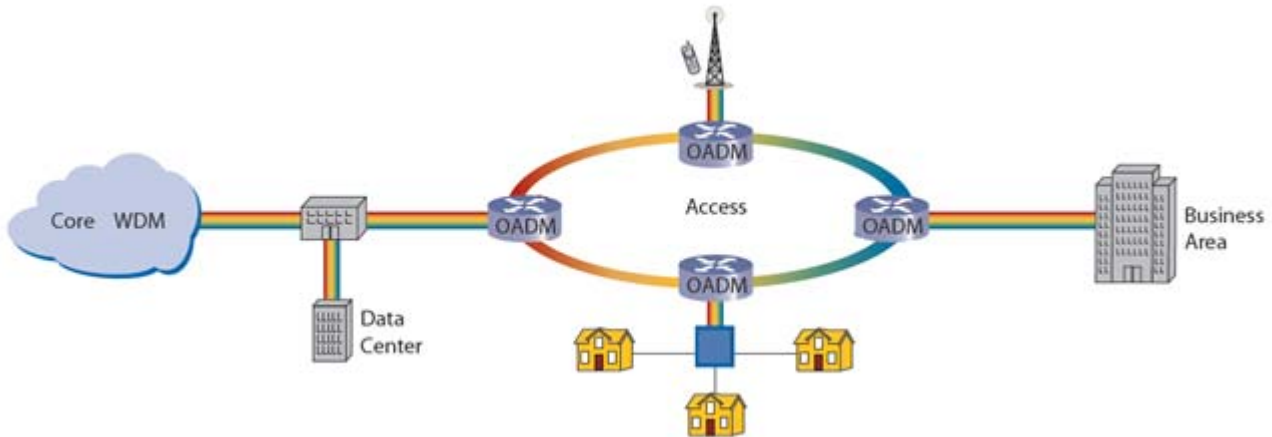


CWDM 单纤同波长传输

CWDM Simplex BiDi Transmission System

Simplex BiDi transmission system includes one multiplexer and one de-multiplexer combined together into a single piece of equipment for bi-directional transmission over one fiber.

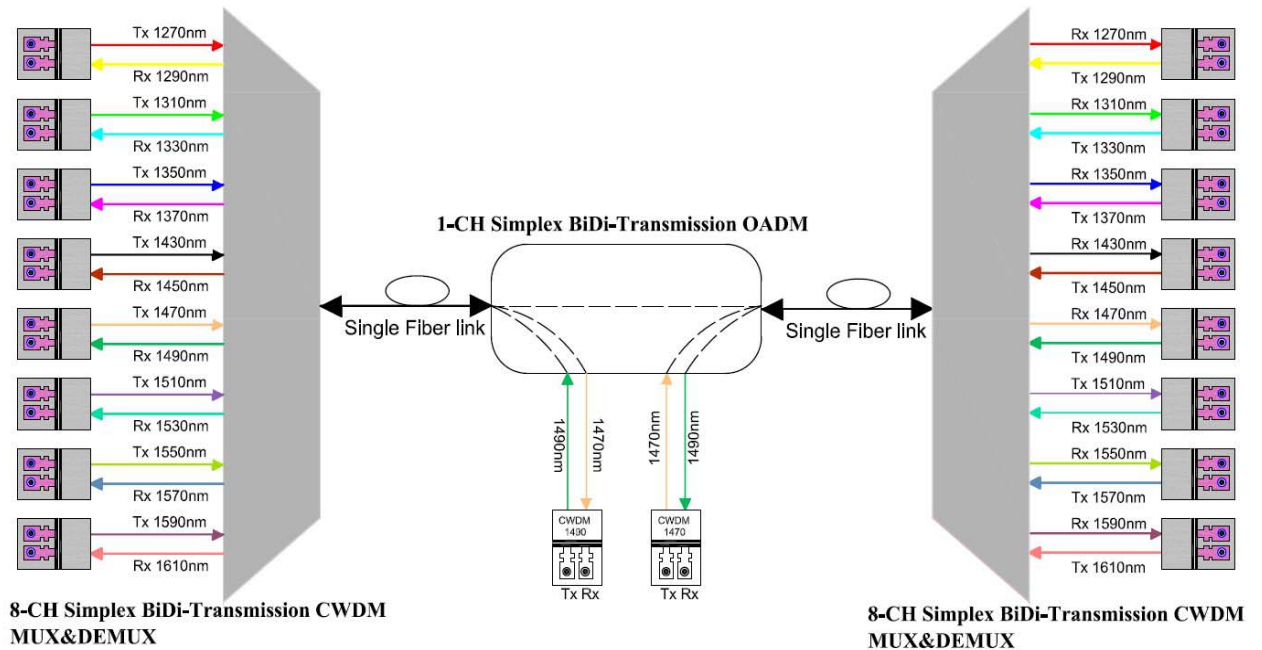


The simplex bi-directional system is a flexible, low-cost solution that enables the expansion of existing fiber capacity and allows operators to make full use of available fiber bandwidth in local loop and enterprise architectures. It can suit many kinds of applications and network solutions, such as Gigabit & 10G Ethernet, SDH/SONET, ATM, ESCON, Fibre Channel, FTTx and CATV.

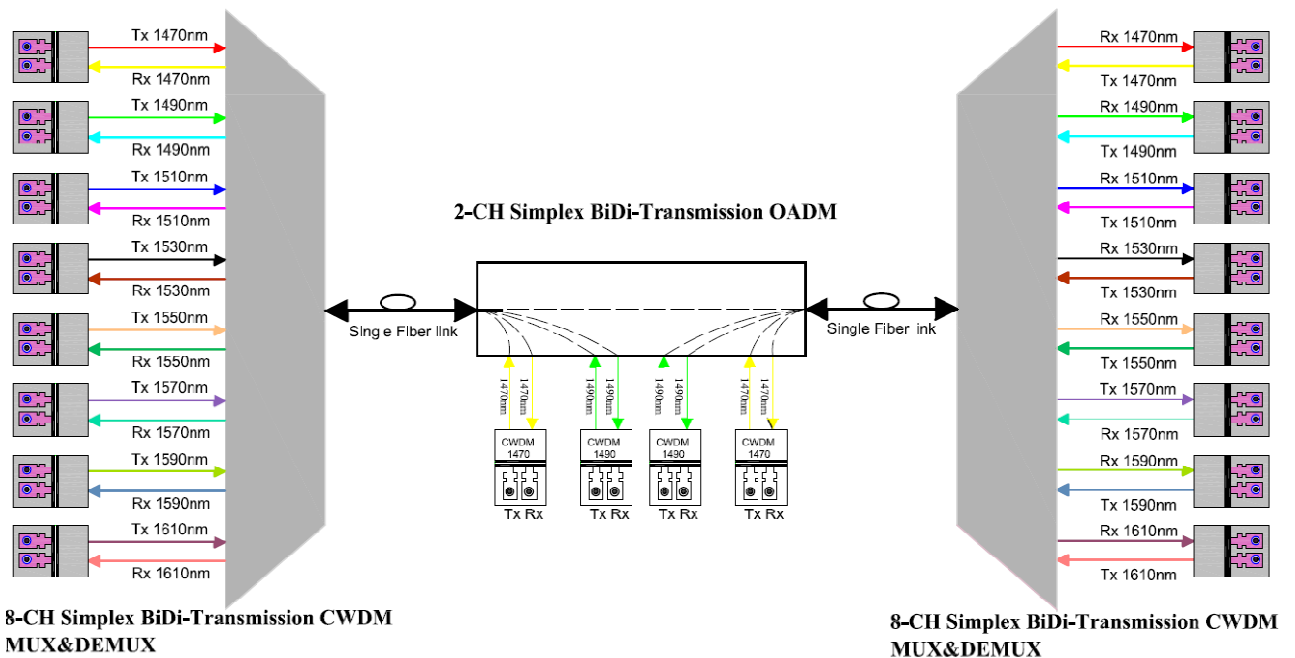
The module is a universal device that can multiplex optical signals (up to 18 channels) into a fiber pair or single fiber, we can provide full complete configuration such as 2, 4, 5, 8, 9, 16, 18 channels for CWDM together with our CWDM transceivers or the wavelength converters, the bandwidth of the fiber can be utilized in a cost effective way.

CWDM Simplex BiDi transmission Solution:

1. Type A: CWDM Simplex Mux & Demux + 1-ch Simplex OADM over single fiber, in this situation, Tx and Rx use different wavelengths for SFP/SFP+/XFP transceivers.



2. Type B: CWDM Simplex Mux & Demux + 2-ch Simplex OADM over single fiber, in this case, with one circulator inside to realize bidirectional transmission, Tx and Rx use the same wavelength for SFP/SFP+/XFP transceivers.



3. Type C: In some cases, an array of CWDM BiDi SFP/SFP+ transceivers may be used for bidirectional propagation over single fiber, a cost-effective solution is suggested as below.

