
25G OEO Datasheet

contents

1 Machine frame information.....	2
1.1 Machine frame appearance description.....	2
1.1.1 1U Machine frame.....	2
1.1.2 2U Machine frame.....	2
1.1.3 4U Machine frame.....	3
1.2 Machine frame correlation parameter.....	4
1.3 Machine Frame Component.....	4
1.3.2 Equipment management.....	6
1.3.3 Product mix.....	6
2 Card information.....	7
2.1 Product Description.....	7
2.2 Product Applications.....	7
2.3 Product Features.....	8
2.4 Performance Index.....	8

1 Machine frame information

1.1 Machine frame appearance description

1.1.1 1U Machine frame



1U Front panel



1U Side panel



1U Back panel

Explain:

- ①NMU card slot
- ②Business card slot,maximum support four business cards, our business cards all can be mixed interpolation and hot swappable
- ③Fan slot,Support for fan hot swap and independent replacement
- ④Scalable lug ⑤Lug instillation position ⑥Side vent
- ⑦Power 1 slot,can plug in AC power supply or DC power supply, support hot swap
- ⑧Power 2 slot,can plug in AC power supply or DC power supply, support hot swap
- ⑨Grounding screw

1.1.2 2U Machine frame



2U Front panel



2U Side panel

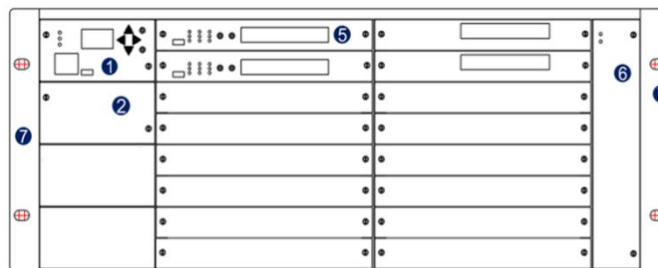


2U Back panel

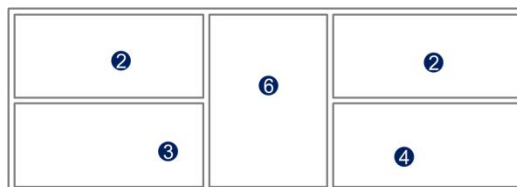
Explain:

- ①NMU card slot
- ②Expansion slot,can plug in eight Ethernet switch cards or other cards
- ③Business card slot,maximum support eight business cards,all our business card can be mixed interpolation,hot swappable
- ④Fan slot,Support for fan hot swap and independent replacement
- ⑤Scalable lug ⑥Lug instillation position ⑦Side vent
- ⑧Power 1 slot,can plug in AC power supply or DC power supply, support hot swap
- ⑨Power 2 slot,can plug in AC power supply or DC power supply, support hot swap
- ⑩Grounding screw

1.1.3 4U Machine frame



4U Front panel



4U Back panel

Explain:

- ①NMU card slot
- ②Expansion slot,can plug in eight Ethernet switch cards or other cards
- ③Power 1 slot,can plug in AC power supply or DC power supply, support hot swap

- ④Power 2 slot,can plug in AC power supply or DC power supply, support hot swap
- ⑤Business card slot,maximum support sixteen business cards,all our business card can be mixed interpolation,hot swappable
- ⑥Fan slot,Support for fan hot swap and independent replacement
- ⑦Scalable lug

1.2 Machine frame correlation parameter

Parameters		Unit	Specifications
Environmental parameter	Working	℃	-10~ 60℃
	Storage	℃	-40℃~ 85℃
	Relative	℃	5% ~ 95% No condensation
Size	1U	mm	482.6W×300D×44.5H
	2U	mm	482.6W×300D×86H
	4U	mm	482.6W×300D×176H
Power Supply	AC	V	100~240,50~60hz
	DC	V	36~72
Consumption	1U	W	< 50 (Max)
	2U	W	< 100 (Max)
	4U	W	< 200 (Max)

1.3 Machine Frame Component

1.3.1 Network management

1.3.1.1 NMU instructions

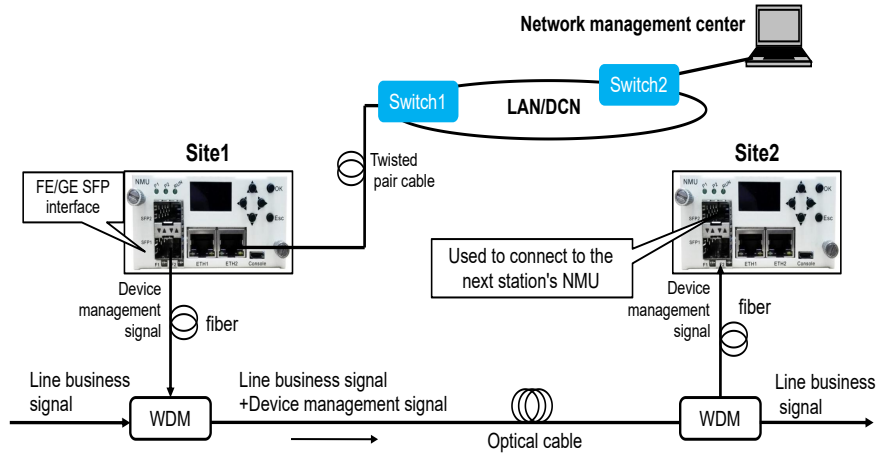
- ①Equipment status indicator: P1 (Power1) 、 P2(Power2)、 RUN
- ②HD dual color LCD display screen
- ③Operation keys
- ④Ethernet communication interface
- ⑤Micro USB equipment upgrade interface
- ⑥Optical transceiver slot (Support 100/1000Mbps SFP)
- ⑦Optical transceiver working status indicator



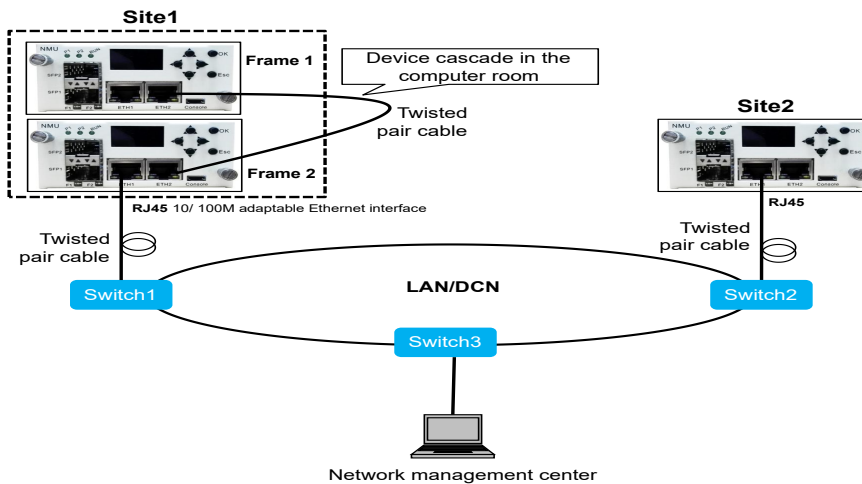
Note: (1) Equipment state,card performance can be visible completely;

(2) Card parameters can be set by panel.

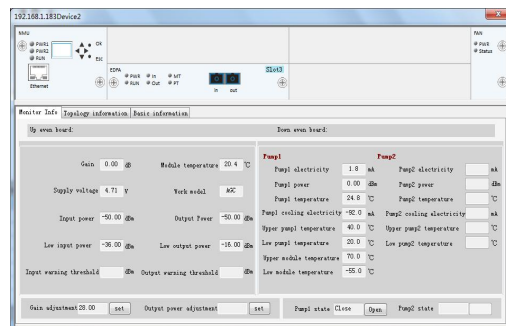
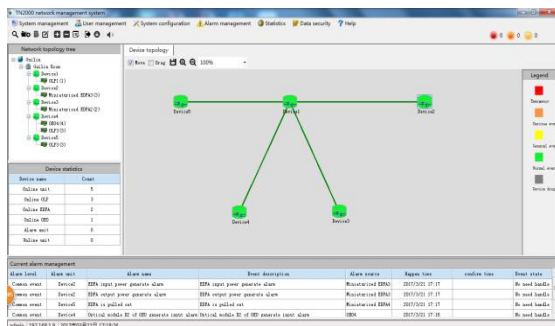
- The equipment management signal and business signal use the same optical fiber transmission



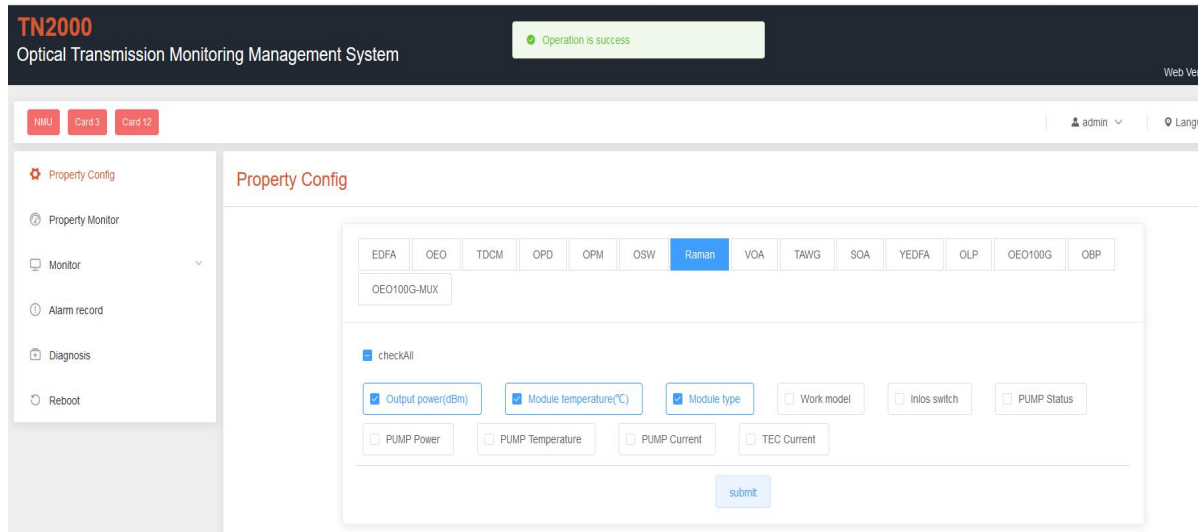
- Equipment management signal and business signal are transmitted independently



1.3.1.2 Professional integrated network management Software



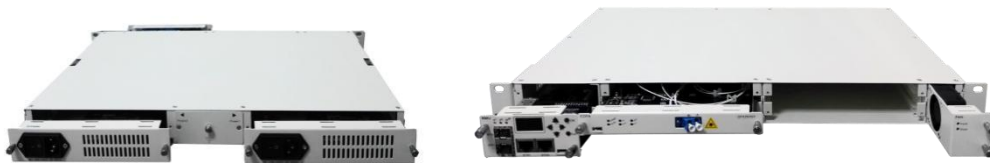
1.3.1.3 Web management



1.3.2 Equipment management

- Equipment state, card performance can be visible completely
- Card parameters can be set by panel
- Support in or out of band network management
- Supports SNMP, Client

1.3.3 Product mix

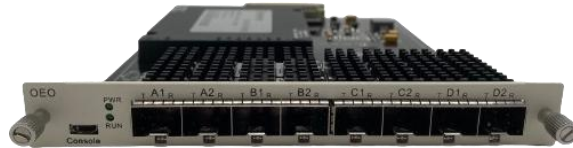


Note: Customers can configure 2U and 4U boxes according to requirements.

Parameters		Unit	Specifications	Remark
Card capacity	1U	pcs	Max 4	For only 1 slot card
	2U	pcs	Max 8	
	4U	pcs	Max 16	
Size	1U	mm	482.6W×300D×44.5H	19"
	2U	mm	482.6W×300D×86H	19"
	4U	mm	482.6W×300D×176H	19"

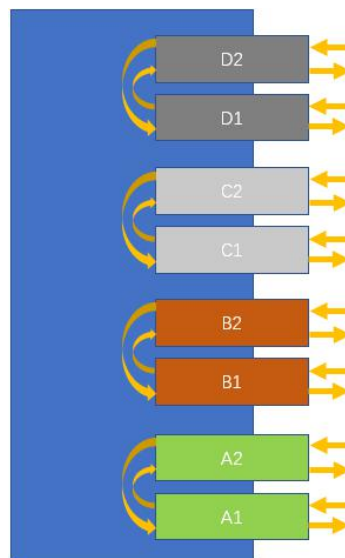
2 Card information

25G OEO card



2.1 Product Description

OEO is optical signal regeneration conversion equipment based on the principle of O-E-O. The product is applied to 25.5~28.1Gbps signal wavelength conversion, single mode conversion, relay amplification, signal regeneration, Can be applied to 25G/100G optical communication data and transmission fields.



2.2 Product Applications

- Data Network
- C/DWDM

2.3 Product Features

- Rate access: 25.5~28.1Gbps
- Service access: Ethernet, FC, etc.
- Support 3R function
- Single card supports 4-channel two-way/4-channel one-way business processing
- High level of integration by plug-in design, which saves space of cabinet
- Expansion is very convenient

2.4 Performance Index

Parameters	Unit	Specifications
Access signal rate	Gbps	25.5~28.1
Signal mode	-----	SM/MM
Optical transceiver package	-----	SFP28
Optical transceiver slot numbers	-----	8
Two-way service channel numbers	-----	4
Extinction ratio	dB	≥6
SMSR	dB	> 30
Consumption	W	< 20