

# 10G BiDi XFP 50km Optical Transceiver GBX-xxxx192-E5C

## Features

- ◆ Supports 9.95Gb/s to 10.3Gb/s data rates
- ◆ Hot-pluggable XFP footprint
- ◆ Maximum link length of 50km with SMF
- ◆ 1270/1330nm DFB laser Transmitter and 1330/1270nm APD Receiver
- ◆ XFP MSA package with LC connector
- ◆ No reference clock required
- ◆ Loop Back Support.
- ◆ +3.3V, +1.8V power supply
- ◆ Power dissipation <2W
- ◆ Compatible with RoHS
- ◆ Built-in digital diagnostic functions
- ◆ Temperature range 0°C to 70°C



## Applications

- ◆ 10G Ethernet

## Description

Gigalight GBX-xxxx192-E5C is compliant with the IEEE803.3ae 10Gbase-Bx. and transmission distance up to 50km on SMF. The transceiver module comprises a transmitter with a 1270/1330nm DFB laser transmitter and the receiver section consists of a APD photodiode integrated with a TIA,. Transmitter and receiver are separate within a wide temperature range of 0°C to +70°C and offers optimum heat dissipation and excellent electromagnetic shielding thus enabling high port densities for 10GbE systems.



## Absolute Maximum Ratings

Parameter	Symbol	Min	Max	Unit	Ref.
Storage Ambient Temperature Range		-40	+85	°C	
Powered case Temperature Range		0	+70	°C	
Operating Relative Humidity	RH		85	%	
Supply Voltage Range @3.3V	Vcc3	0	3.6	V	
Supply Voltage Range @ 1.8V		0	1.98	V	

Any stress beyond the maximum ratings can result in permanent damage. The device specifications are guaranteed only under the recommended operating conditions.

## Electrical Characteristics

Parameter	Symbol	Min	Typ	Max	Unit	Note	
Operating Case Temperature Range	Tc	0		+70	°C		
Power Supply Voltage @ 3.3V	Vcc3	3.13	3.3	3.47	V		
Power Supply Voltage @ 1.8V		1.62	1.8	1.98			
Module total power	P			2	W		
Transmitter							
Input differential impedance	Rin		100		Ω	1	
Differential data input swing	Vin,pp	120		820	mV		
Transmit Disable Voltage	VD	2.0		VCC	V		
Transmit Enable Voltage	VEN	0		0.8	V		
Transmit Disable Assert Time				10	us		
Receiver							
Differential data output swing	Vout,pp	340		850	mV		
Data output rise time	tr			38	ps	2	
Data output fall time	tf			38	ps	2	
LOS Fault	V <sub>LOS fault</sub>	Vcc – 0.5		V <sub>CCHOST</sub>	V	3	
LOS Normal	V <sub>LOS norm</sub>	GND		GND+0.5	V	3	
Power Supply Rejection	PSR	See Note 3 below					4

### Notes:

1. After internal AC coupling.
2. 20 – 80 %
3. Loss Of Signal is open collector to be pulled up with a 4.7k – 10kohm resistor to 3.15 – 3.6V. Logic 0 indicates normal operation; logic 1 indicates no signal detected.
4. Per Section 2.7.1. in the XFP MSA Specification.

## Optical Characteristics

Parameter	Symbol	Min	Typ	Max	Unit	Ref.
<b>Transmitter</b>						
Optical output Power	P	2		7	dBm	
Optical Wavelength	$\lambda$	1260	1270	1280	nm	
		1320	1330	1340		
Side Mode Suppression Ratio	SMSR	30			dB	
Optical Extinction Ratio	ER	3.5			dB	1
Average Launch power of OFF transmitter	POFF	-30			dBm	
Tx Jitter	Tx <sub>j</sub>	Compliant with each standard requirements				
<b>Receiver</b>						
Receiver Sensitivity	RSENS			-17	dBm	2
Receiver Sensitivity in OMA	RSENS			-15	dBm	2
Maximum Input Power	PMAX			-7	dBm	
Optical Center Wavelength	$\lambda_C$	1320		1340	nm	
		1260		1280		
LOS De-Assert	LOS <sub>D</sub>			-25	dBm	
LOS Assert	LOS <sub>A</sub>	-28			dBm	
LOS Hysteresis		1		5	dB	

Notes:

- 1, PRBS 2<sup>31</sup>-1 test pattern @10.3125Gbps.
- 2, PRBS 2<sup>31</sup>-1 test pattern @10.3125Gbps, BER≤10<sup>-12</sup>.

## Pin Descriptions

Pin	Logic	Symbol	Name/Description	Ref
1		GND	Module Ground	1
2		VEE5	Optional -5.2 Power Supply – <b>Not required</b>	
3	LVTTL-I	Mod-Desel	Module De-select; When held low allows the module to respond to 2-wire serial interface commands	
4	LVTTL-O	Interrupt	Interrupt (bar); Indicates presence of an important condition which can be read over the serial 2-wire interface	2
5	LVTTL-I	TX_DIS	Transmitter Disable; Transmitter laser source turned off	
6		VCC5	+5 Power Supply– <b>Not required</b>	
7		GND	Module Ground	1
8		VCC3	+3.3V Power Supply	

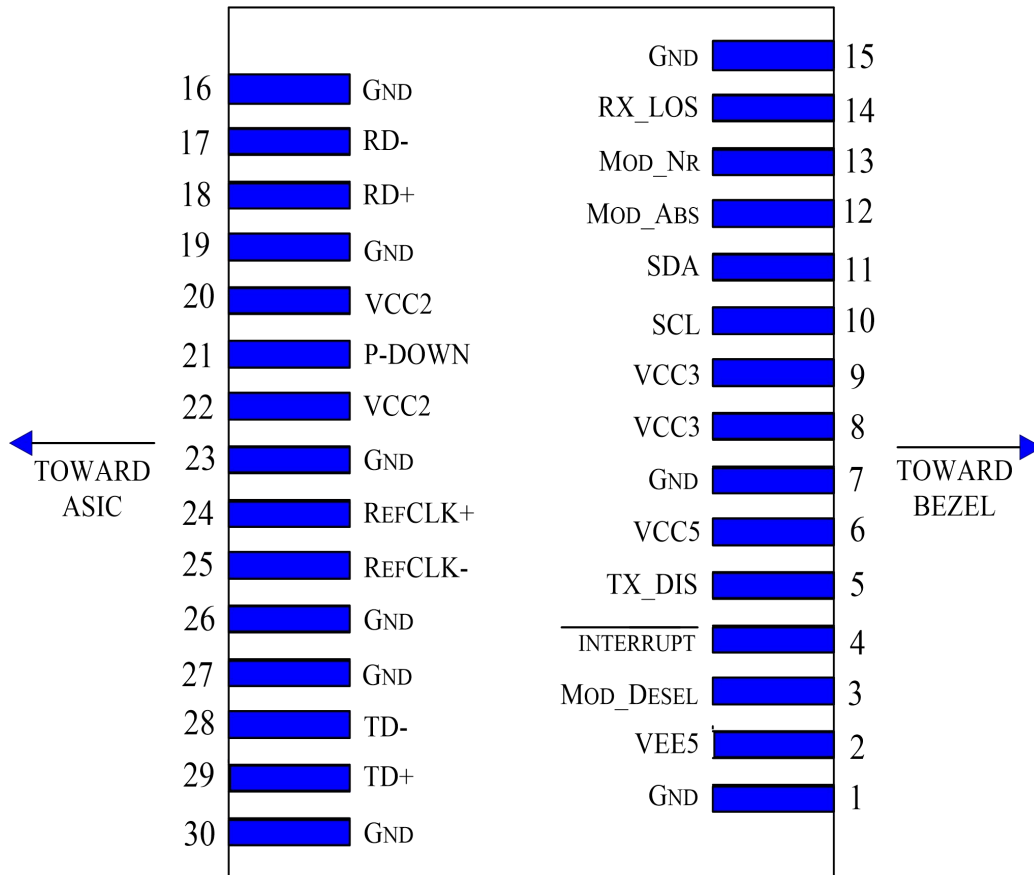


9		VCC3	+3.3V Power Supply	
10	LVTTTL-I	SCL	Serial 2-wire interface clock	2
11	LVTTTL-I/O	SDA	Serial 2-wire interface data line	2
12	LVTTTL-O	Mod_Abs	Module Absent; Indicates module is not present. Grounded in the module.	2
13	LVTTTL-O	Mod_NR	Module Not Ready;	2
14	LVTTTL-O	RX_LOS	Receiver Loss of Signal indicator	2
15		GND	Module Ground	1
16		GND	Module Ground	1
17	CML-O	RD-	Receiver inverted data output	
18	CML-O	RD+	Receiver non-inverted data output	
19		GND	Module Ground	1
20		VCC2	+1.8V Power Supply	
21	LVTTTL-I	P_Down/RST	Power Down; When high, places the module in the low power stand-by mode and on the falling edge of P_Down initiates a module reset	
			Reset; The falling edge initiates a complete reset of the module including the 2-wire serial interface, equivalent to a power cycle.	
22		VCC2	+1.8V Power Supply	
23		GND	Module Ground	1
24	PECL-I	RefCLK+	Reference Clock non-inverted input, AC coupled on the host board – <b>Not required</b>	3
25	PECL-I	RefCLK-	Reference Clock inverted input, AC coupled on the host board – <b>Not required</b>	3
26		GND	Module Ground	1
27		GND	Module Ground	1
28	CML-I	TD-	Transmitter inverted data input	
29	CML-I	TD+	Transmitter non-inverted data input	
30		GND	Module Ground	1

**Notes:**

1. Module circuit ground is isolated from module chassis ground within the module.
2. Open collector; should be pulled up with 4.7k – 10k ohms on host board to a voltage between 3.15V and 3.6V.
3. A Reference Clock input is not required.

**Hostboard Connector Pinout**



## General Specifications

Parameter	Symbol	Min	Typ	Max	Units	Ref.
Bit Rate	BR	9.95		10.5	Gb/s	1
Bit Error Ratio	BER			10 <sup>-12</sup>		2
Max. Supported Link Length	L <sub>MAX</sub>		60		km	1

### Notes:

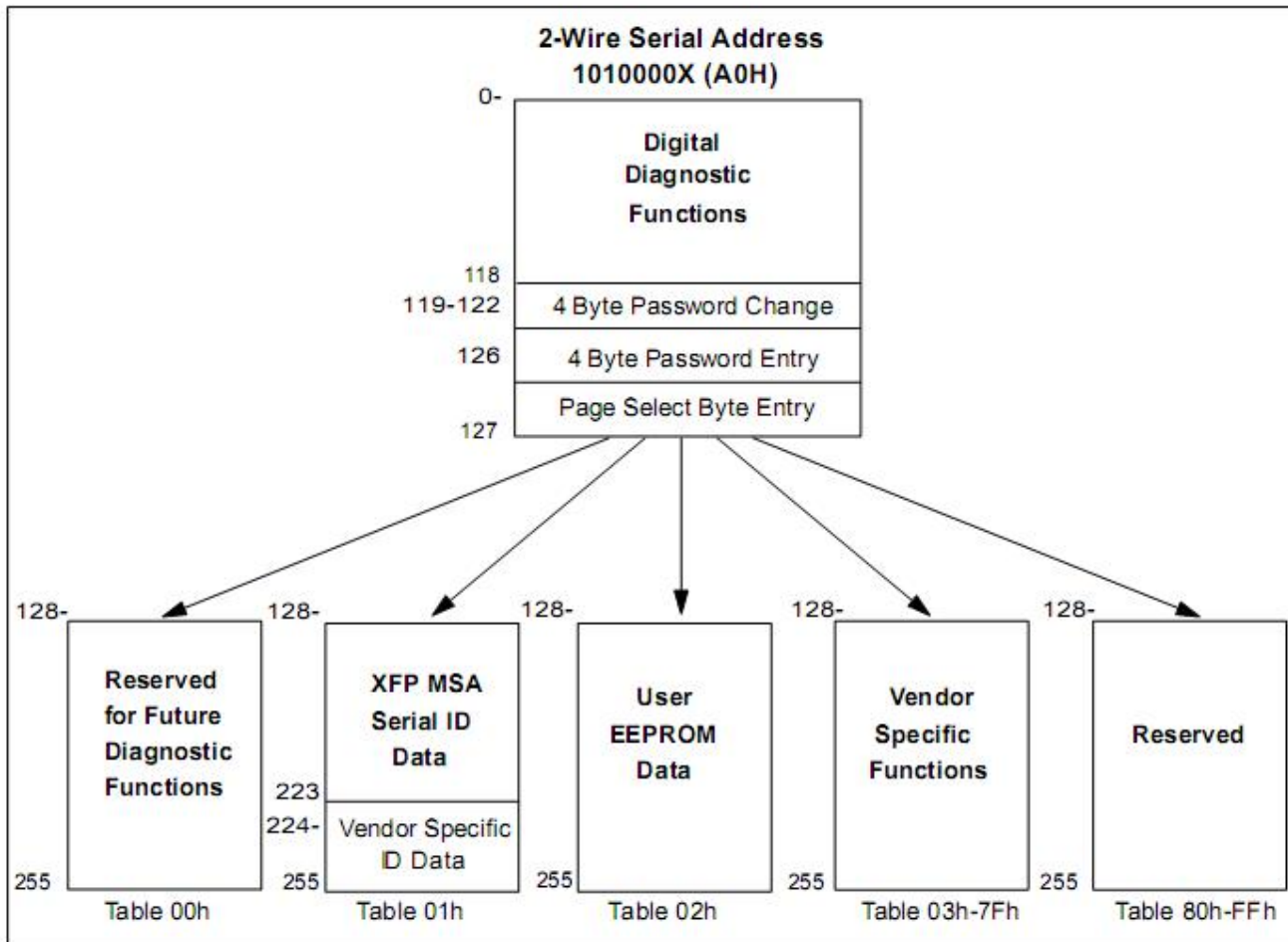
1. Tested with a 2<sup>31</sup> - 1 PRBS

## Management Interface

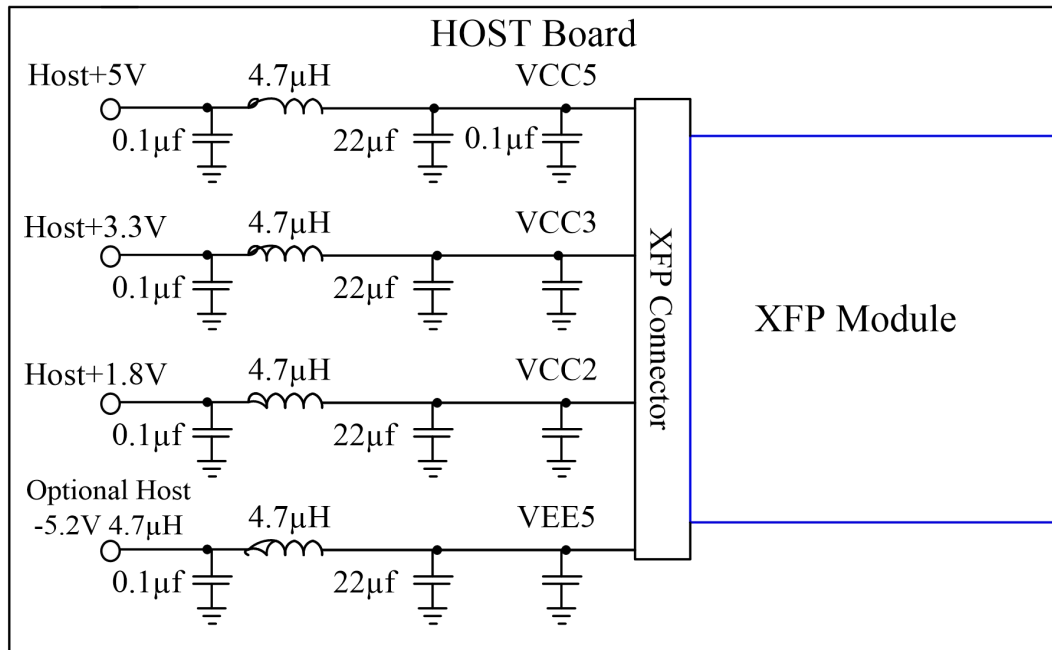
The transceivers provide serial ID memory contents and diagnostic information about the present operating conditions by the 2-wire serial interface (SCL, SDA).

The Module provides diagnostic information about the present operating conditions. The transceiver generates this diagnostic data by digitization of internal analog signals. Alarm/warning threshold data is written during device manufacture. Received power monitoring, transmitted power monitoring, bias current monitoring, supply voltage monitoring and temperature monitoring all are implemented.

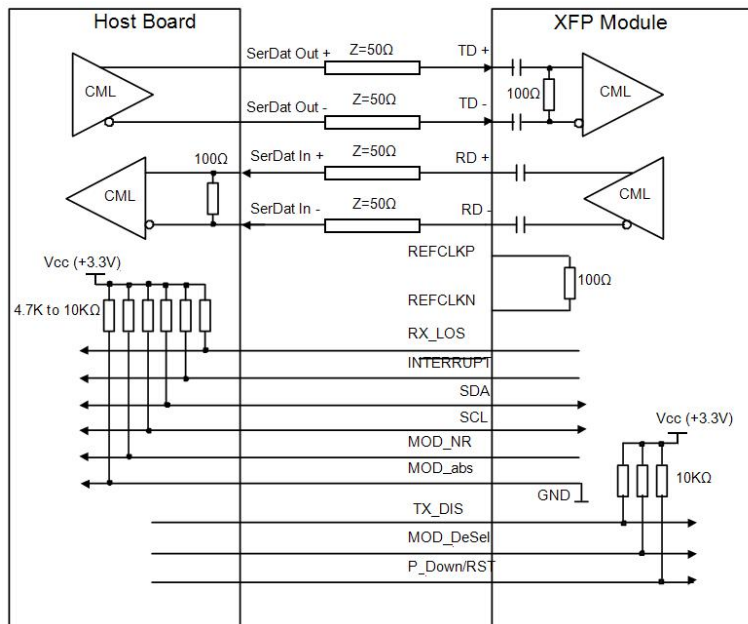
The digital diagnostic memory map specific data field defines as following.



## Recommended Host Board Power Supply Circuit

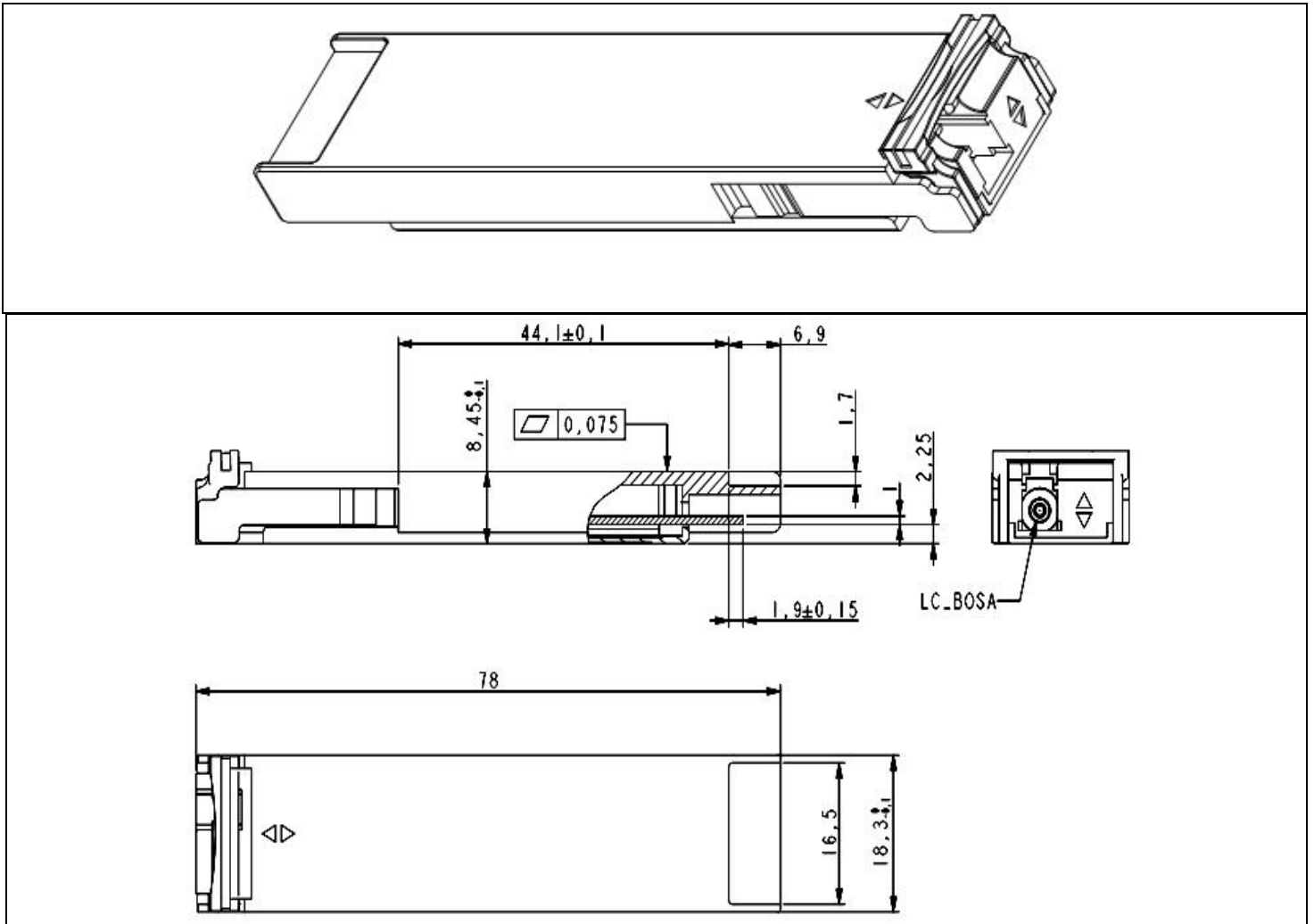


### Recommended High-speed Interface Circuit



### Mechanical Specifications

XFP transceivers are compliant with the dimensions defined by the XFP Multi-Sourcing Agreement (MSA).



## Ordering information

Part Number	Product Description
GBX-2733192-E5C	BiDi XFP, 10.3Gb/s, Tx 1270nm / Rx 1330nm, 50km, SMF, Simplex LC
GBX-3327192-E5C	BiDi XFP, 10.3Gb/s, Tx 1330nm / Rx 1270nm, 50km, SMF, Simplex LC

## Important Notice

Performance figures, data and any illustrative material provided in this data sheet are typical and must be specifically confirmed in writing by GIGALIGHT before they become applicable to any particular order or contract. In accordance with the GIGALIGHT policy of continuous improvement specifications may change without notice. The publication of information in this data sheet does not imply freedom from patent or other protective rights of





深圳市易飞扬通信技术有限公司  
SHENZHEN GIGALIGHT TECHNOLOGY CO.,LTD

[Http:// www.gigalight.com.cn](http://www.gigalight.com.cn)

Optical Network Transceiver Innovator

GIGALIGHT or others. Further details are available from any GIGALIGHT sales representative.

E-mail: [sales@gigalight.com](mailto:sales@gigalight.com)

Web : <http://www.gigalight.com/>